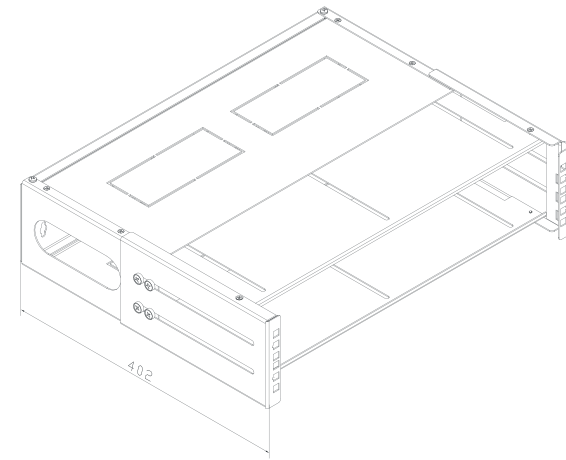
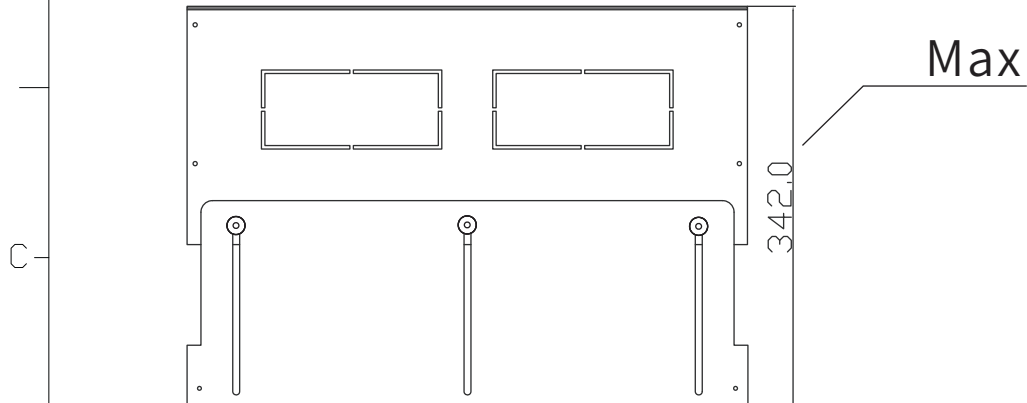
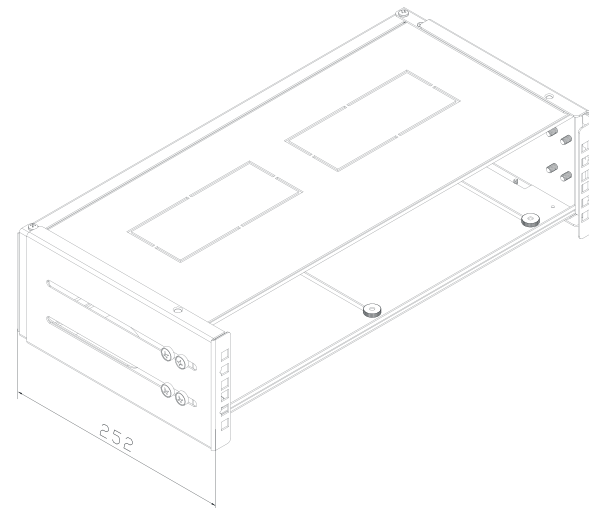
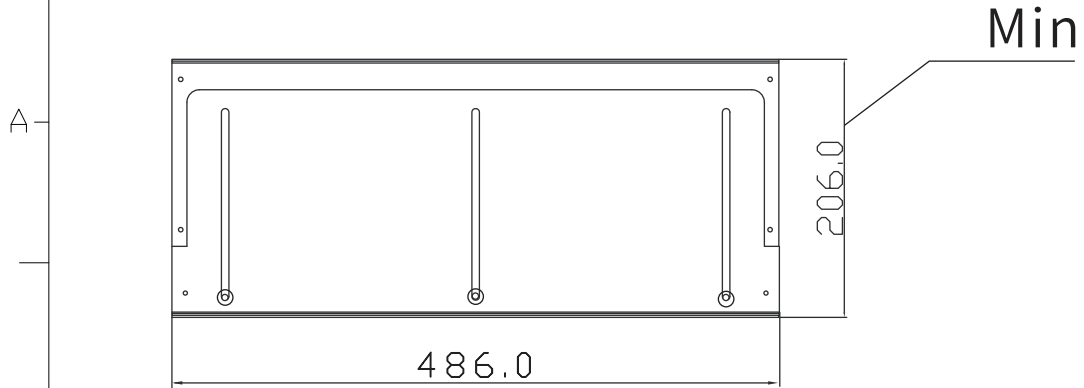



1 2 3 4 5 6 7



Optional accessories: Top and Bottom covers for folding brackets

 Lanberg		Impakt S.A.	
DIMENSION IN mm (Inch) TOLERANCE UNLESS OTHERWISE SPECIFIED		MATERIAL	DWG. NO.
.X±0.10	.X°±5°	TITLE FB01-C-10B	
.XX±0.05	.XX°±2°		
APPROVAL	CHECKED	DRAWN	SCALE
		cen	1/1
		PPDJ	SHEET 1/

1 2 3 4 5 6 7